

WAFER TYPE BUTTERFLY VALVE



HANYCO
HAMOUN NYZEH CO.



Wafer-type Butterfly Valves

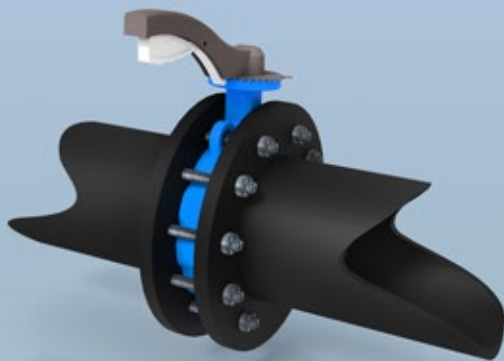
Hamoun Nyzeh (HANYCO) is manufacturer of ductile iron pipes and fittings, with the approach of producing and supplying pipes and fittings for water and wastewater projects, from DN80 to DN1200mm in diameter, with a nominal production capacity of 100,000 tons annually. The new product of Hanyco is Ductile Iron Wafer-type butterfly valves with the following specification produced by the "Lost Foam Casting" process in a fully automatic production line.



- Nominal size DN (50-200mm)
- Working pressure PN 10/16 bar

Wafer-type Butterfly Valves Application

The Hanyco butterfly valve can be used for wide range of applications including raw, cooling and drinking water up to 120°C and air conditioning facilities to isolate or regulate of the water flow. Thanks to numerous material options for the valve's disc and seal, special application cases can also be realized without any problems. They are available in nominal sizes from DN50 to DN200 with Working Pressure 10/16 bar. The use of butterfly valves on transmission lines as a flow controller is not permitted and must be fully open or fully closed. The design of the valve is such that the disc is fully centered in the open position and provides the best conditions for the flow with the lowest pressure loss. This valve is suitable for installation between flanges which prepared accordance with DIN EN 1092-2 and operating pressure up to 16 bars.



Special Features

- Licensed based on Iranian standard mark application ISIRI 4841
- Valve design based on the BS EN 593
- Valves flanges face to face based on the DIN EN 558-1 Series 20
- Valves flange dimensions according to DIN EN 1092-2
- Sealing capability in both directions
- Capability to install in all directions (horizontal, vertical and angular)
- Manual operation by lever (standard equipment up to DN150) or by gearbox and hand wheel for DN200
- The capability of pneumatic or electric actuator installation on the valve
- No need for sealing gaskets between flanges
- Performance tests and Inspection according to DIN EN 12266-1



Hydrostatic tests according to DIN EN 12266-1

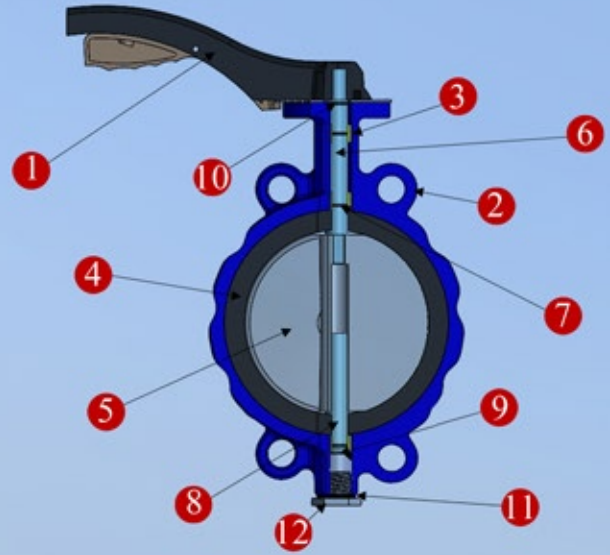
PN (bar)	Hydrostatic Pressure (bar)	
	Body	Seat
10	17	11
16	25	17.6



Materials

Item Number	Component	Material/Standard	Spare Part
1	Lever	Aluminum	
2	Body	EN-GJS-400-15	
3	Bush	Brass / PTFE	+
4	Liner	EPDM (NBR on Request)	
5	Disc	AISI 316 (Ni-Plated Ductile Iron on Request)	
6	Stem (Long)	AISI 304	
7	O-ring	NBR	+
8	Stem (Short)	AISI 304	
9	O-ring	NBR	+
10	Retaining Ring	DIN 472	
11	Washer	NBR	+
12	Plug	Aluminum	+

• EN-GJS-500-7 is available based on request.

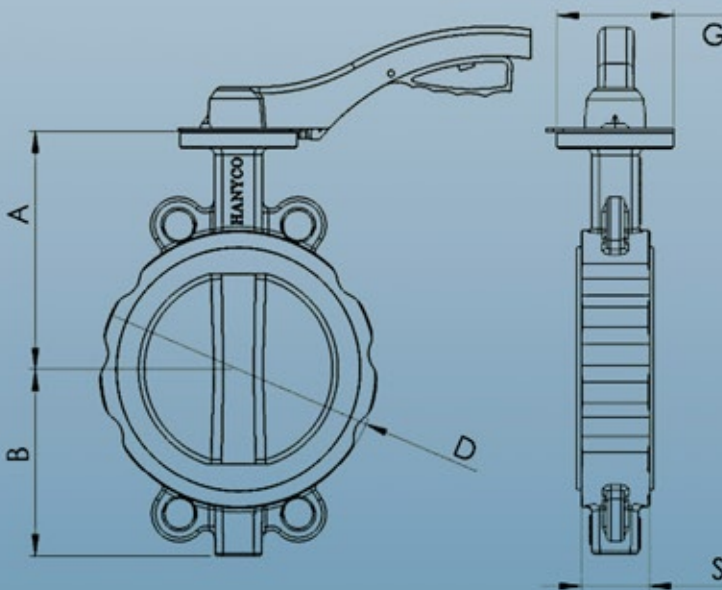


Coating Specification

All interior and exterior surfaces of the valves body are coated by electrostatic pure epoxy resin paint (RAL 5005 or RAL 5015), Layer thickness at least 250 µm and certified by reputable international organizations for use in drinking water.



Lever-Control Wafer-type Butterfly Valve Dimensions & Weight

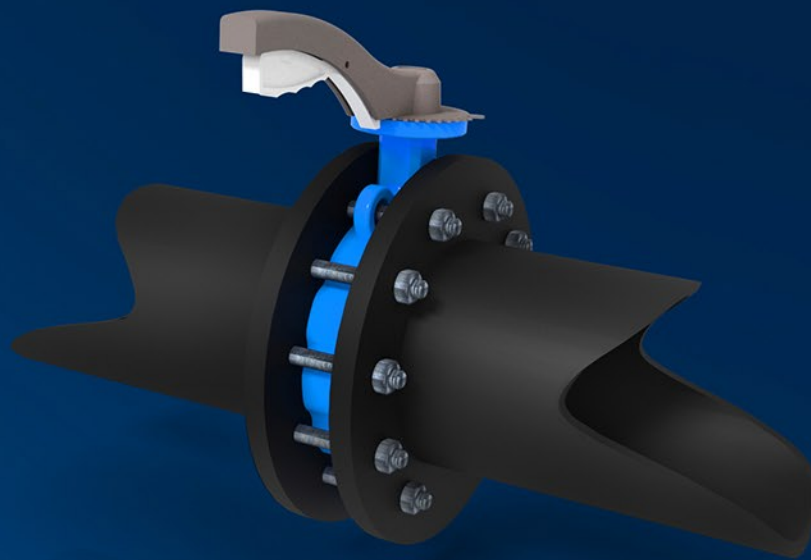


DN mm	A mm	B mm	D mm	G ¹ mm	S ² mm	Flange	Weight Kg
50	120	74	97	65	40	F05	2.3
65	132	86	111	65	43	F05	2.7
80	135	97	127	65	45	F05	3.4
100	156	116	159	90	51	F07	5
125	171	135	184	90	53	F07	6.1
150	184	150	214	90	53	F07	7.5
200 H	236	180	265	125	58	F07	13.5
200 G	236	180	265	125	58	F07	17

G¹ Actuation mountings dimension (Manual operation by lever for DN50-DN150 or gearbox controlled for DN200) are according to ISO5211.

S² Valves flanges face to face based on the DIN EN 558-1 Series 20.

HANYCO's DN50-DN150 wafer-type butterfly valves are controlled by a lever. Also, DN200 is controlled by a lever (200H) or gearbox and handwheel (200G).



WAFER TYPE BUTTERFLY VALVE



HANYCO
HAMOUN NYZEH CO.

No. 28, 3rd. st., Shaghayegh blvd., Kashani ave., 1483877631 Tehran Iran Tel: +982144009812-13 Fax: +982144009610

www.hanyco.ir sales@hanyco.net